

Burford Outdoor Wall light Fitting

INSTRUCTION MANUAL

Safety Warnings

- This product is only suitable for connection to a 240V~50Hz supply in accordance with current IEE wiring regulations. It should be installed in accordance with local building regulations and is for domestic use only.
- Before commencing installation of your light fitting always switch off the mains supply and remove the appropriate fuse or switch off the appropriate circuit breaker.
- **This is a Class I product, and must be Earthed.** The terminal blocks are supplied according to requirements of the fitting.
- Run supply wire from a 5-amp electrical supply protected by an RCD using double insulated 3-core cable of type H05RN-F 1.0mm² (not supplied) to selected site, ensuring it is adequately protected through the full length of the cable run, it must come out of the flat surface of the wall or steps in line with the entry to the fitting.
- Except where installed in a conduit or duct which provides equivalent protection against mechanical damage, a cable buried in the ground shall incorporate an earthed armour or metal sheath or both, suitable for use as a protective conductor, or be of insulated concentric construction. Buried cables shall be marked by cable covers or a suitable marking tape. Buried conduits and ducts shall be suitably identified. Buried cables, conduits and ducts shall be at a sufficient depth to avoid being damaged by any reasonably foreseeable disturbance of the ground.
- Never fit bulbs of a higher wattage than those specified on the label, as these may cause overheating and damage the fitting.
- This product has special protection against the ingress of water, and is rated IP44.
- If any modification is made it will invalidate the warranty and may render the product unsafe.

Care Information

Allow 10 minutes to cool before replacing, adjusting or cleaning.

Clean with a dry cloth only. Do not use liquid or abrasive cleaners on this product.

Assembly/ User Instructions

Before you start

Please read these instructions carefully before fitting and retain for reference. Check the packaging and make sure that you have all the required parts. Follow each assembly step in order to prevent incorrect assembly. Ensure that the product is fully assembled as illustrated before use.

The Light pack contains:

Light fitting.
Terminal connection block(s).
Fixing pack.

The following tools may be required:

Selection of cross and flat head screwdrivers.
Electric drill and assorted drill bits.
Wire strippers.
Electrical insulation tape.

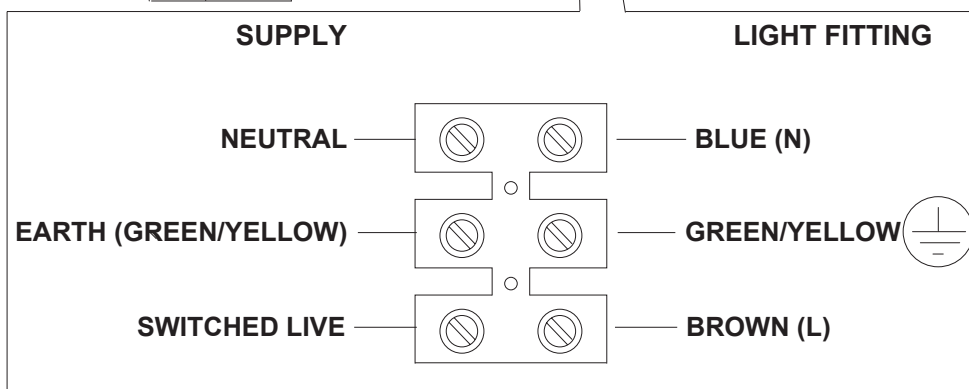
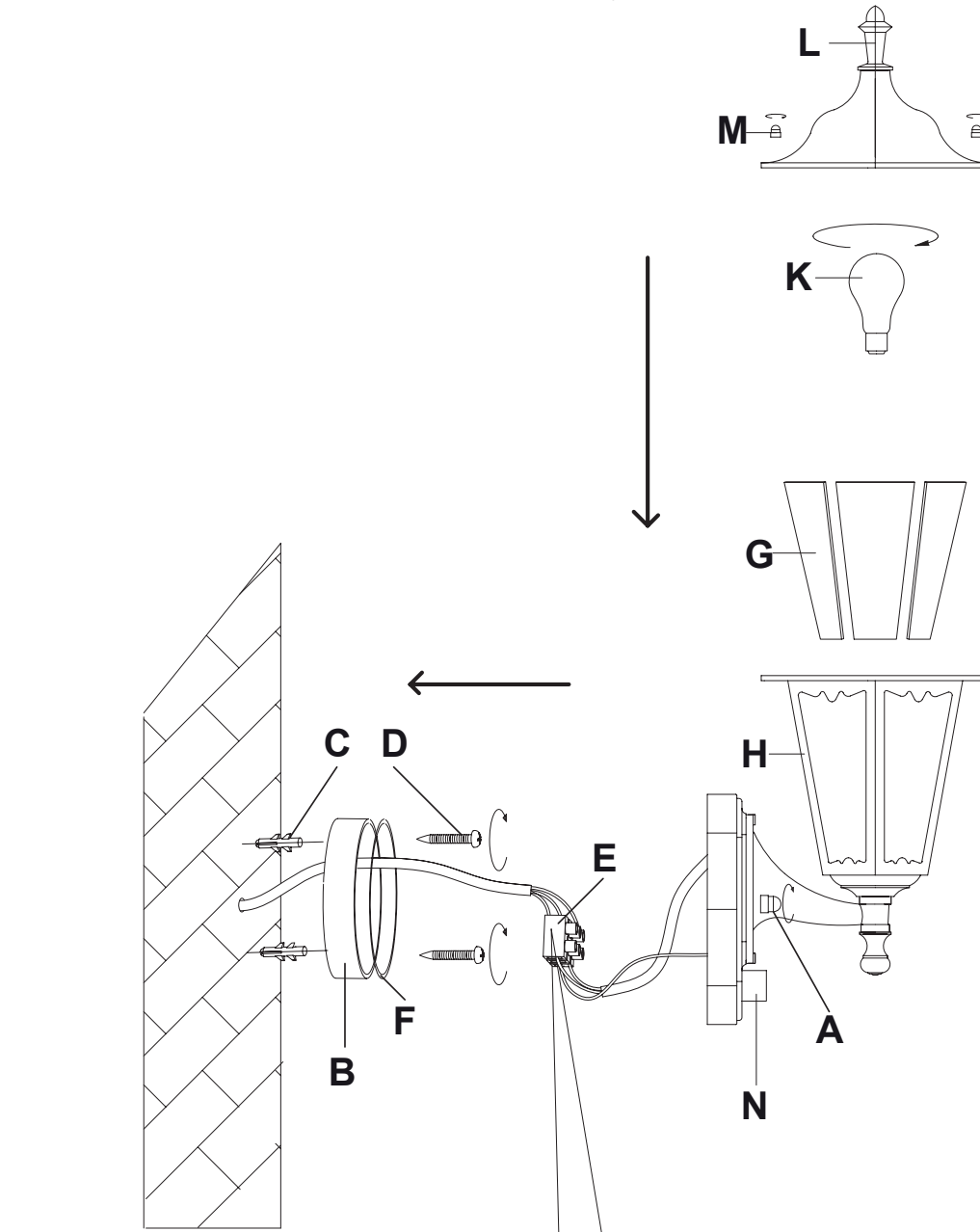
These assembly diagrams are intended as a guide – if in doubt consult a qualified electrician.

1. Decide on the position of the light fitting, or remove existing light fitting. Note the position of the electrical connections. Ensure there is a solid mounting surface.
2. Remove the finials (A) from the front of the product and lift the light fitting body away from the wall back (B). Keep the finials in a safe place for refitting later.
3. Using the wall back (B) as a template, mark the position of the mounting holes. Drill holes, taking care to avoid damaging any concealed wiring or pipes. Make sure the wall back is correctly oriented with the drain hole at the base
4. Bring the mains cable through the rubber grommet, then use appropriate fixings (C & D) to secure the wall back to the wall.
5. Connect the house wiring to the internal terminal block (E) – see expanded wiring details below. **NOTE: This is a Class I fitting and must be earthed.** The cable entry grommet must be securely in place to ensure that the water ingress protection is maintained. When you are sure of the connections wrap the Terminal Block and overlap the wiring both sides with 2 layers of insulation tape.



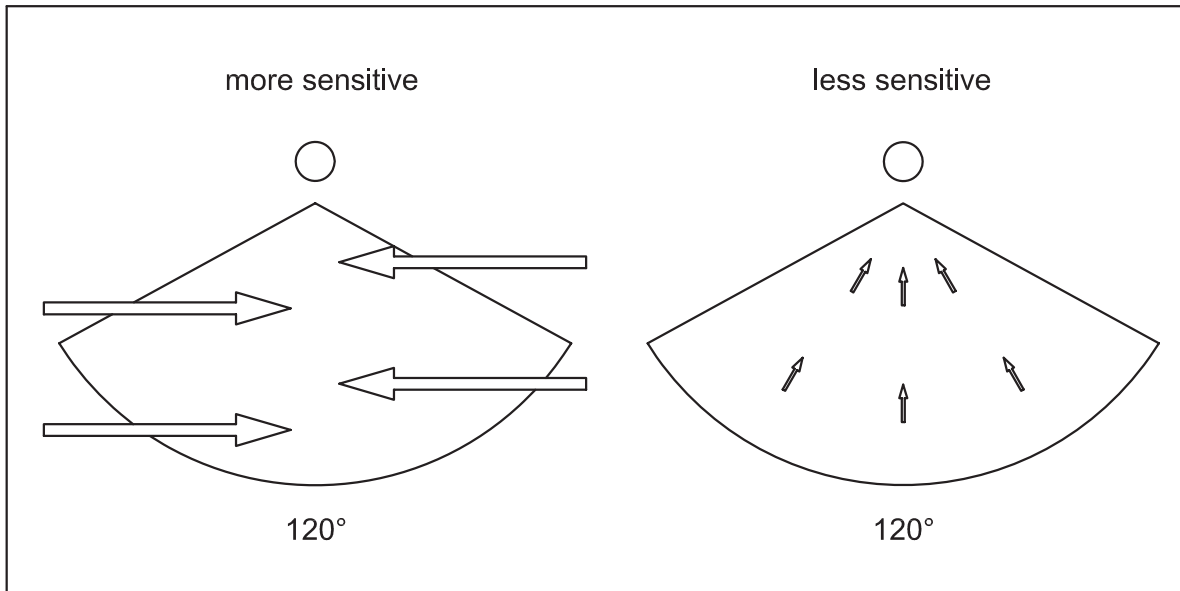
Assembly/ User Instructions Continued

6. Place the light fitting over the threads of the securing screws and refit the finials (A) to secure. Make sure the rubber seal (F) is in place to maintain the IP rating and ensure the fitting is correctly oriented - lampholder must point upwards.
7. Place glass panels (G) into the metal shade frame (H).
8. Fit the bulb (K - not supplied). **NOTE: Never fit bulbs of a higher wattage than those specified on the label as these may cause overheating and damage the fitting.**
9. Place the shade top (L) onto the metal shade frame and secure in place with the finials (M)
10. Turn on the power and test.
11. 76548 is fitted with a PIR sensor (N). Please see overleaf for adjustment details.

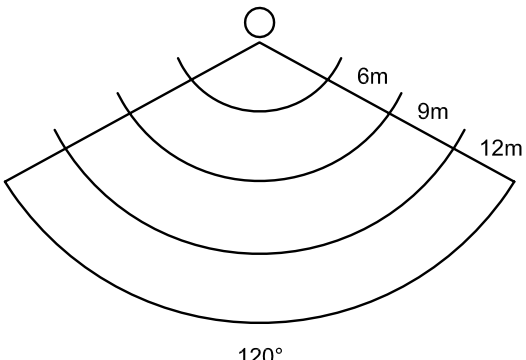
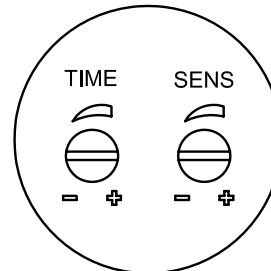


Adjusting the PIR Sensor

- The unit must be installed in a vertical position
- For the best results, fix the product to a solid surface, 1.8-2.5m above the ground.
- Avoid aiming the PIR sensor at pools, heating vents, air conditioners or objects which may change temperature rapidly.
- Try to avoid pointing the unit at trees or shrubs, or where the motion of pets may be detected.
- The PIR Sensor is more sensitive to motion across the detection area than motion towards it, therefore consider this when planning the position of the product.



- The PIR sensor is fully adjustable, allowing the detection distance to be altered to suit the location. The detection angle is set at an optimum 120°. The duration the lamp stays on can also be altered from 5 seconds - 8 minutes. Use a small screwdriver to gently adjust the 'TIME' and 'SENS' screws. When adjusting the sensitivity (detection distance) in daylight it will be necessary to simulate night time. Alternatively, sensitivity adjustments can be made at night. This is due to a daylight photocell sensor which de-activates the product during daylight hours

Detection Distance	Adjustment Screws
<p style="text-align: center;">Adjustable 6 - 12 metres</p>  <p style="text-align: center;">120°</p>	<p style="text-align: center;">Base of product</p> 
<p>Detection range can be adjusted by turning 'SENS' screw</p>	<p>Duration the bulb stays on is adjustable by turning 'TIME' screw</p>

